

BASIC TECHNOLOGY

Implementation of the proposed technical solutions can be shown by concrete examples:

- discharge device (siphon) with waste heat of the waste water of the wash basin (sink), depicted in **Fig. 1 and 2**;
 - discharge device (siphon) with waste heat of the waste water bath (the shower tray) shown in **Fig. 3 and 4**.
- For these devices the decision node of the input and output of the heated water duct, as shown in **Fig. 5**, is of the same type.

In the figures the following notation:

- 1 – wash basin (sink);
- 2 – receiving the effluent pipeline;
- 3 – the case of the discharge device (siphon);
- 4 – protective guard duct of heated water;
- 5 – the pipeline of heated water;
- 6 – liner;
- 7 – exhaust pipe of the water;
- 8 – top cover of the discharge device (siphon);
- 9 – tray discharge device (siphon);
- 10 – removable mechanical filter (mesh);
- 11 – a fitting for joining plumbing pipes (flexible connectors);
- 12 – water leaks detector;
- 13 – tub (shower pan).

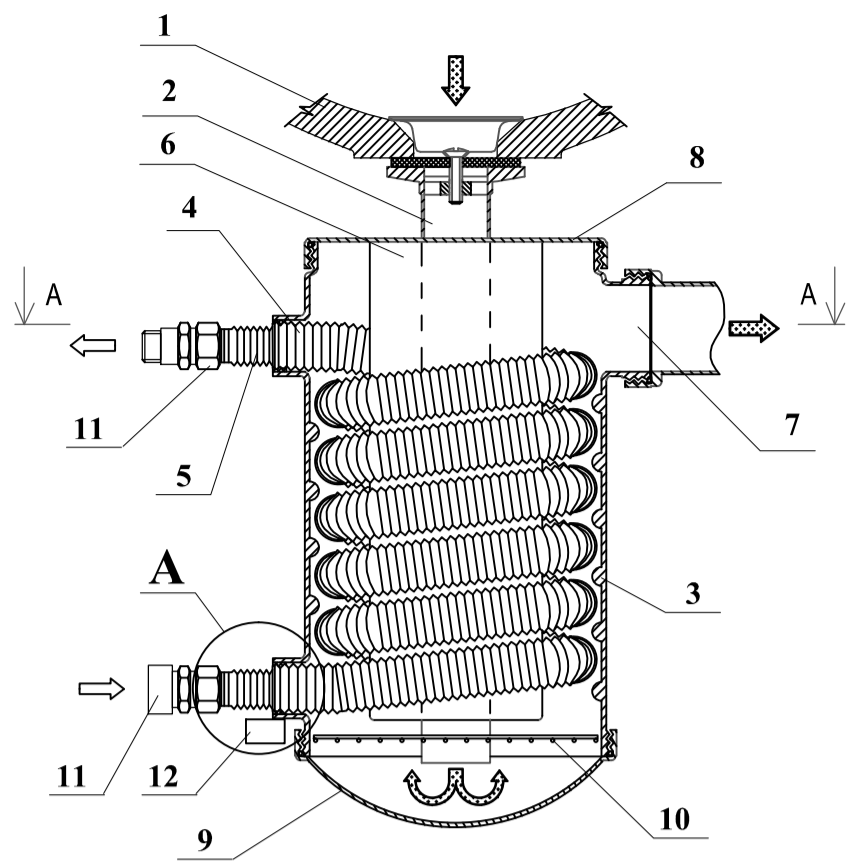


Fig.1

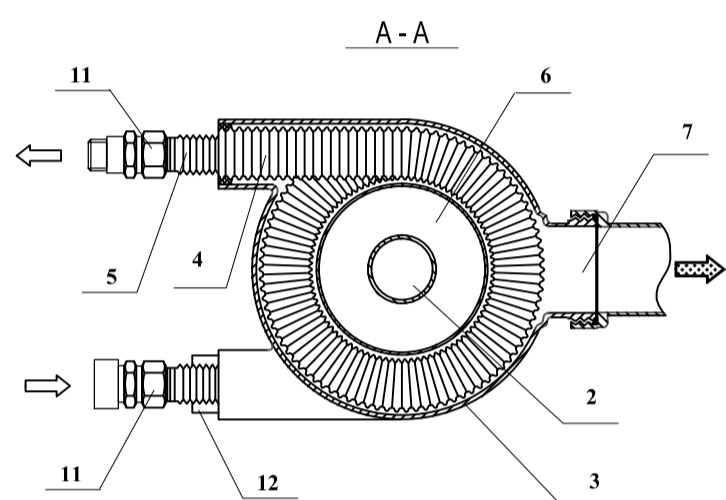


Fig.2

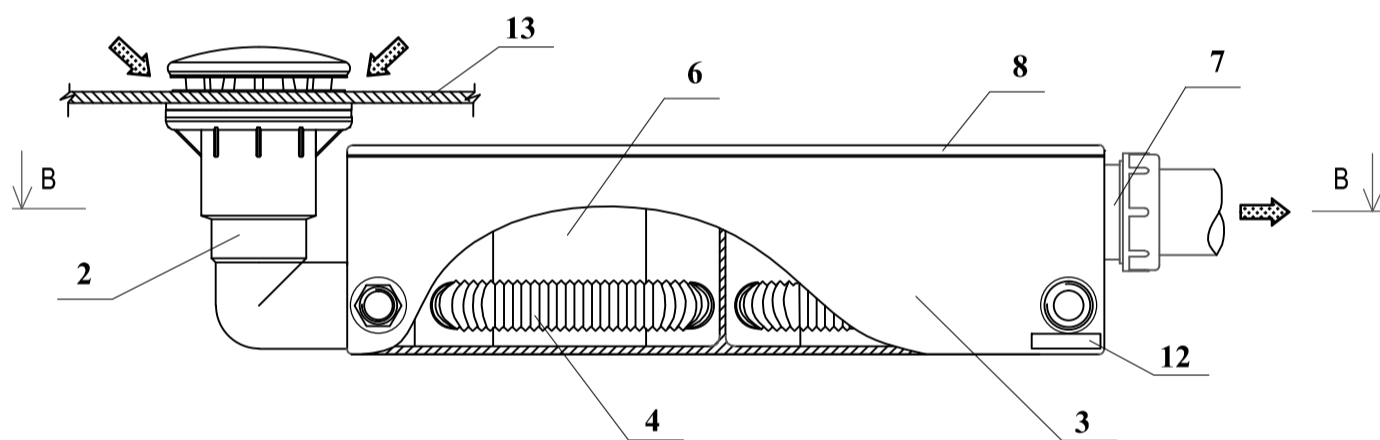


Fig.3

B - B

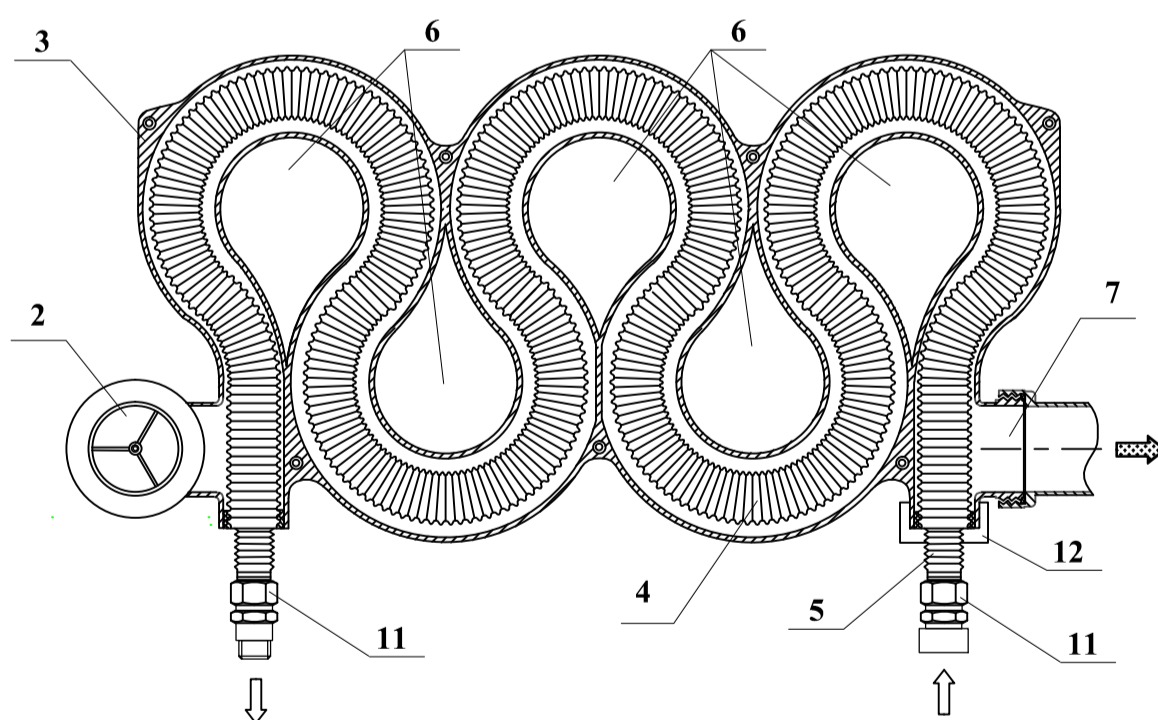


Fig.4

Node A

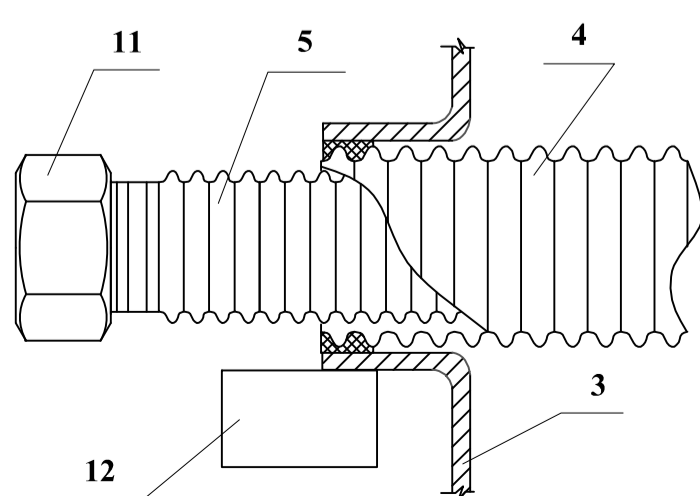


Fig.5